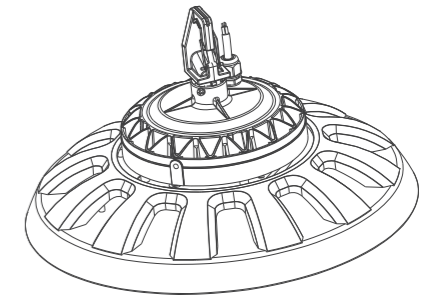


SB Series Luminaire

Installation Instructions

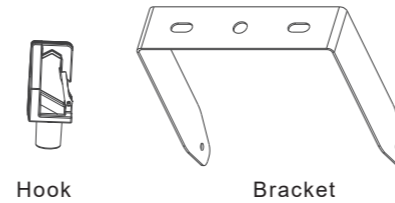


| Type | Wattage | Input Voltage | CCT | Beam Angle | Weight |
|--|-------------------------|---------------|--------|---------------------|--------|
| SBDxO5H00E SBDxN5H00E SBDxH5H00E | 260 W 210 W 170 W | 220-240 Vac | 5000 K | 100° | 4.7 kg |
| SBDxO5600E SBDxN5600E SBDxH5600E | 260 W 210 W 170 W | | | 60° | 4.7 kg |
| SBDxE5A40E SBDxG5A40E SBDxJ5A40E | 135 W 165 W 195 W | | | 40 x 90° (Aisle) | 5.1 kg |



SBDxx4xxxE: 4000K
SBDxxxxDE: DALI
SBDxxxxPE: NEDAP
SBDxxxxME: Occupancy sensor
SBDxxxxE: Hook
SBDxxxxE: Bracket
SBDxxxxE-C: Chain

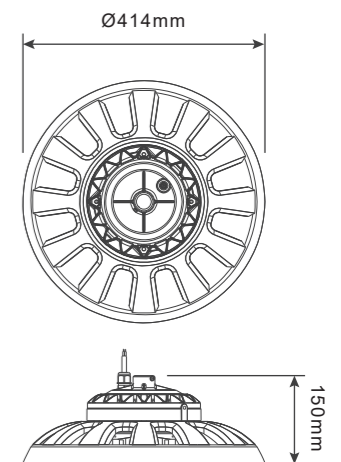
Accessories



| Breaker type | 10A | 16A | 20A | 25A |
|--------------|-----|-----|-----|-----|
| B | 1 | 3 | 3 | 4 |
| C | 3 | 5 | 7 | 8 |
| K | 6 | 10 | 13 | 16 |

$I_{peak}=135A$ and $duration=300\mu S$,
breaker number @230Vac

Dimension

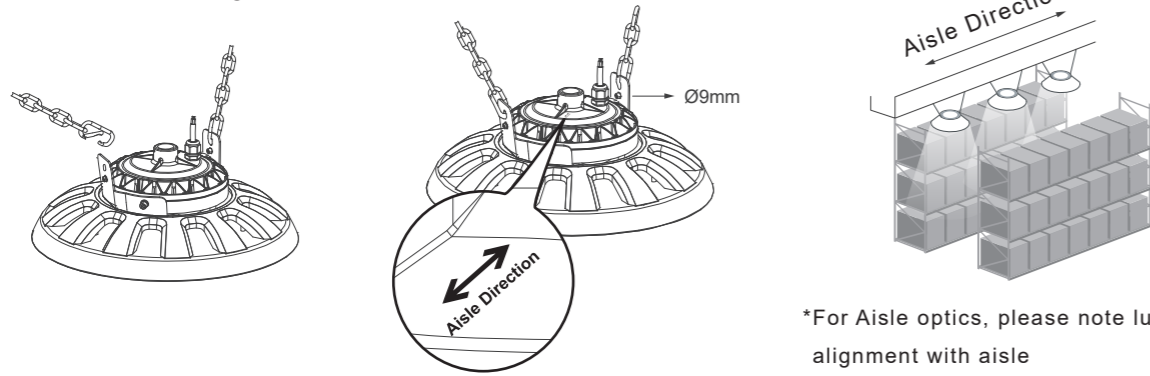


WARNING

- This product must be installed in accordance with applicable local, state, and national electrical codes by a licensed person familiar with the construction and operation of the product and hazards involved.
- This luminaire must be adequately grounded for protection against shock hazards and to assure proper operation.
- The external flexible cable or cord of this luminaire cannot be replaced; if the cord is damaged, the luminaire shall be destroyed.
- The light source contained in this luminaire shall only be replaced by the manufacturer or his service agent or a similar qualified person.
- **Caution, risk of electric shock**
- This product is not for household use.
- The luminaire should be positioned so that prolonged staring into the luminaire at a distance closer than 1.8 m is not expected.
- Terminal block is not included. Installation may require advice from a qualified person.

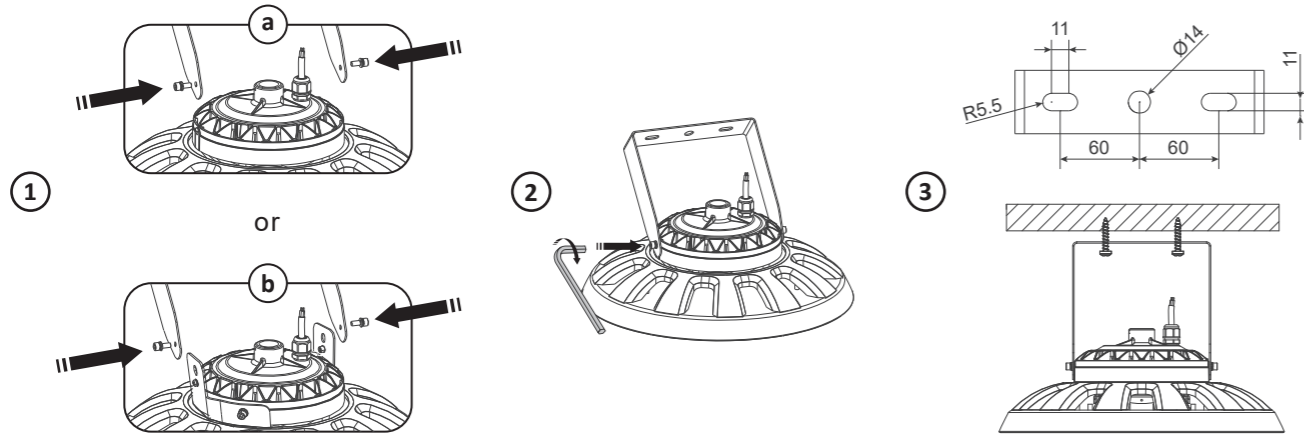
Installation

Chain mounting

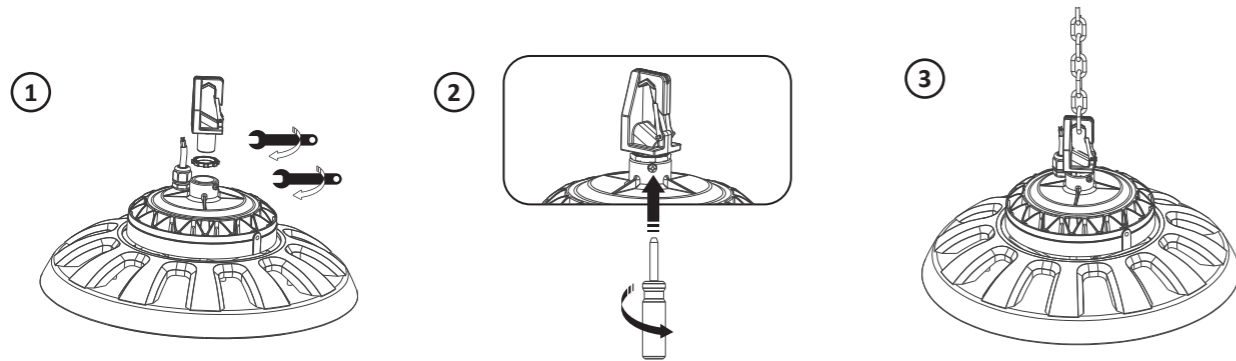


*For Aisle optics, please note luminaire alignment with aisle

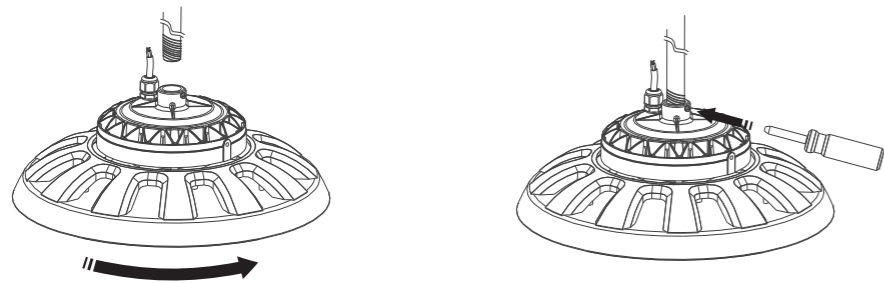
Wall mounting / M6: 2.1 ft-lbs (30 Kgf.cm)



Hook mounting



Pendant mounting / screw thread : NPT 3/4"

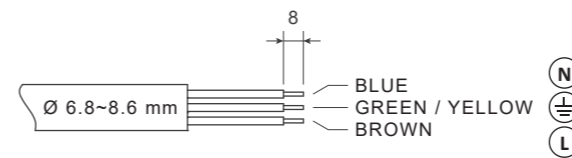


Wiring

Wiring Connection

/ H05RN-F 3X1.0 mm²

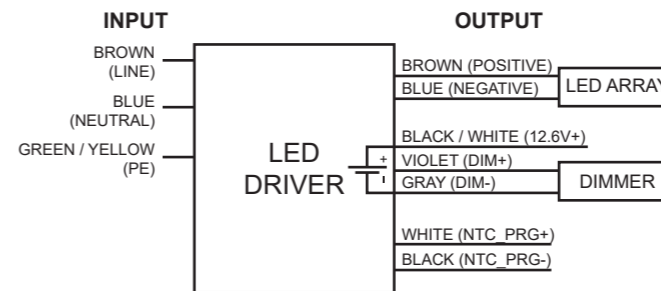
/ Terminal Block Selection



- The type of terminal: Both screw and screwless terminals can be used
- Number of terminals: Three terminals (L/N/PE) (Please refer to Wiring Connection drawing)
- Rated voltage: 220Vac-240Vac
- Rated connecting capacity: 1.0mm² gauge cable wire connection and 1.5A current rating
- Any necessary preparation of the ends of conductors: No need
- Any fixing method: No need

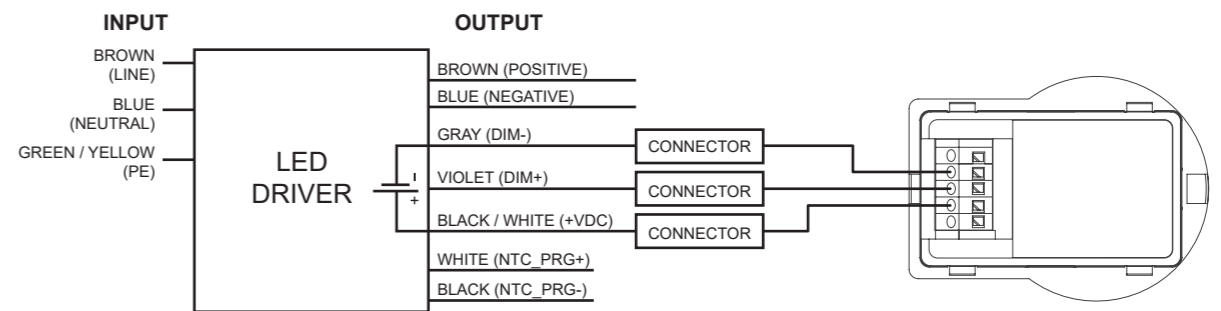
Optional Installation

/ 0~10V Dimmer

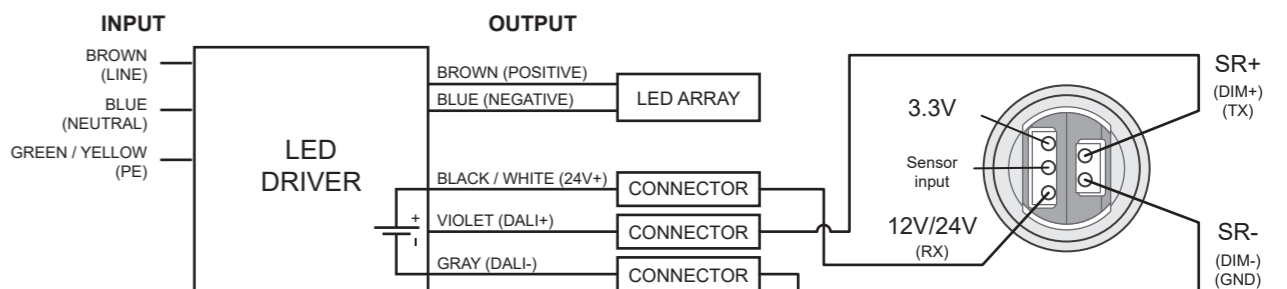


- A 10V Signal is about 100% lumen output
- A 0 V Signal is about 0% lumen output
- Basic insulation between LV supply and control conductors shall be provided
- For safety reasons , please keep the 24V wire inside the IP65 junction box and make sure it is properly isolated by means of a connector

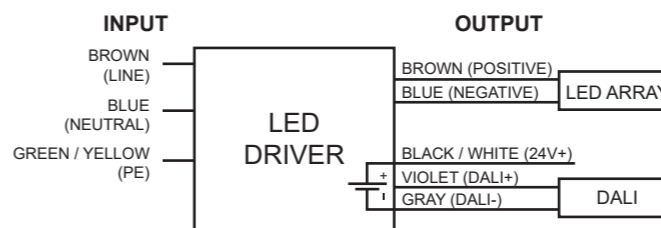
/ Sensor



/ Nedap IoT node module



/ DALI application



For safety reasons , please keep the 24V wire inside the IP65 junction box and make sure it is properly isolated by means of a connector.